



# Special Order Axle Confirmation

Fax: \_\_\_\_\_ Attn: \_\_\_\_\_

Sold To:

Ship To:

Customer #: \_\_\_\_\_ Customer PO#: \_\_\_\_\_ Part #: \_\_\_\_\_

Customer Order #: \_\_\_\_\_ Ship via: \_\_\_\_\_

From CSR: \_\_\_\_\_ Branch: \_\_\_\_\_ Branch Fax #: \_\_\_\_\_

Tubular Axle:   Beam Only

Torflex Axle:  *Square Tube Only*

Axle Tube:  Round (Std)  Square

Spindle:  Short  Long

Brake:

Idler  Idler Flgd

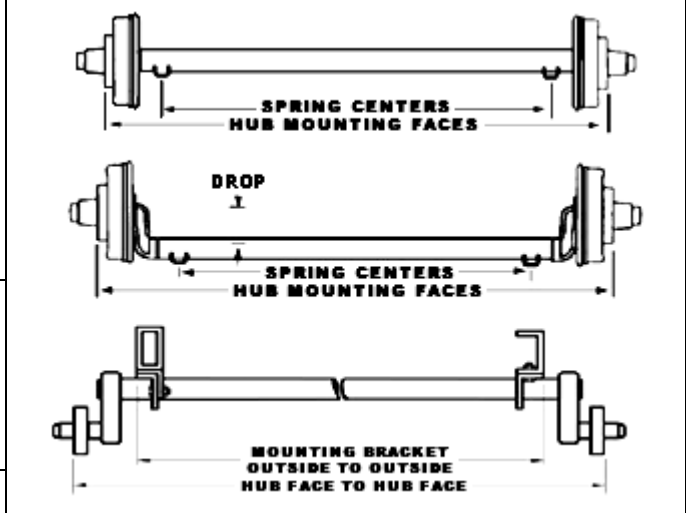
Electric  Single Servo Hyd

Duo Servo Hyd  Freeback

Hyd Disc  w/ Parking Brake

Air  ABS

Spring Brakes  Freeback Marine



Spindle Type:

Straight  4" Drop

6" Drop (3.5K)  EZ Lube

Nev-R-Lube  Oil

Std Grease  w/ Brake Flange

Cambered:  Yes  No

Drop Center (V-Camber):  Yes  No

Stud Size:

1/2  5/8 Flgd

9/16  5/8 Coned

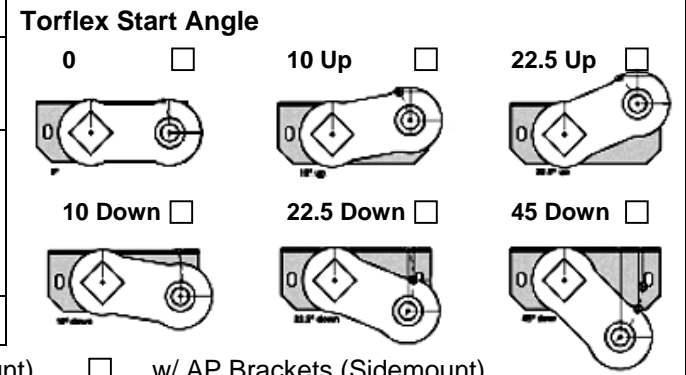
Capacity: \_\_\_\_\_

Bolt Pattern: \_\_\_\_\_

Hub Face: \_\_\_\_\_

Spring Center/Outside Bracket: \_\_\_\_\_

Axle Finish:  Painted (Std)  Galvanized



AP Brackets:  Less AP Brackets (Topmount)  w/ AP Brackets (Sidemount)

Overslung:  Underslung:  Hub. Dia. For 2K 545  5.5, 8-12" Wheels  6.5, 12-15" Wheels

Additional Options: \_\_\_\_\_

How Many: \_\_\_\_\_ Price Each: \_\_\_\_\_

THANK YOU FOR YOUR ORDER! TO HELP US AVOID DELAYS AND PROVIDE YOU WITH THE PRODUCTS YOU NEED FOR YOUR PRODUCTION, PLEASE DOUBLE CHECK THE MEASUREMENTS AND ADVISE US OF ANY CORRECTIONS.

I VERIFY THAT THE PARTS/AXLES INDICATED ABOVE ARE CORRECT AND ACKNOWLEDGE THAT ALL SPECIAL ORDER AXLES ARE NON-REFUNDABLE AND MAY REQUIRE A DEPOSIT.

Customer Signature (required): \_\_\_\_\_ Date: \_\_\_\_\_

For questions or concerns, contact us at: \_\_\_\_\_ and ask for \_\_\_\_\_

If confirmation & deposit are received by: \_\_\_\_\_ Estimated ship date: \_\_\_\_\_