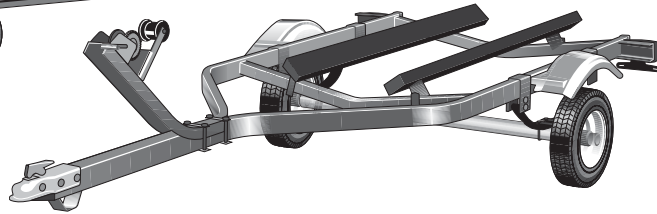
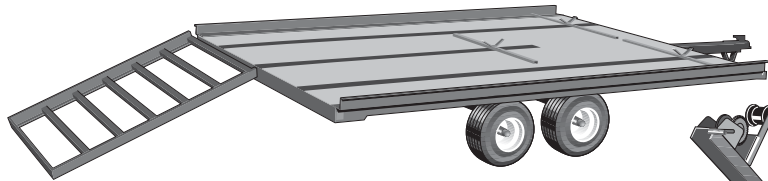


# GENERAL APPLICATIONS



1000 - 2200 LBS. CAPACITY

## AXLE TYPES

### 1000-2200 lbs. capacity

- Complete service manual
- Heavy duty 1<sup>1</sup>/<sub>16</sub>" spindle design
- Precision machined steel spindles and integral cast iron hub/drums
- CSA approved 7 x 1<sup>1</sup>/<sub>4</sub>" electric and 7 x 1<sup>3</sup>/<sub>4</sub>" hydraulic brakes
- Electric brakes are available with and without parking feature
- Standard grease lubrication; E-Z Lube® option
- Press-in wheel studs
- Inner wiring system for easier installation and protection of brake wiring



- Designed for fold-down campers, light utility, boat trailers applications
- Totally rubber-cushioned for smooth, quiet independent ride
- Easy installation with less maintenance
- Less transfer of road shock which insulates cargo from road shocks and vibration
- Rubber cords compounded for maximum dependability and durability
- Load-carrying cross member
- Self-damping action
- Independent wheel suspension system
- 5 year limited warranty on suspension system
- Low profile for maximum road clearance
- Various starting angles to control trailer height
- High and low profile brackets with optional mounting brackets available
- Rubber cushioning eliminates metal-to-metal contact
- Shock absorption provided by the natural hysteresis of rubber
- Single or tandem axle assemblies
- Durable, wear-resistant components

### D20 LEAF SPRING



- Designed for light-capacity trailers
- Designed for travel trailers being towed by smaller automobiles
- High strength 1<sup>3</sup>/<sub>4</sub>" diameter tube for straight axles and 2<sup>3</sup>/<sub>8</sub>" for drops
- Straight or Drop spindles (4" drop only)
- High quality alloy steel springs in a variety of capacities
- Single, tandem or triple axle assemblies with equalized suspensions
- Slipper spring or double eye leaf spring suspension
- Optional hanger and attaching parts kits available
- Durable, wear-resistant components
- 2 year limited warranty

### CAUTION:

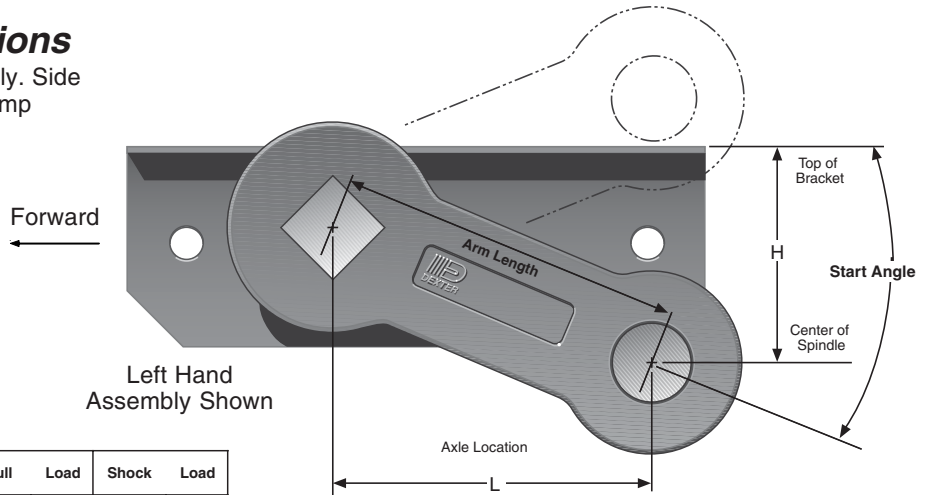
Triple axle assemblies are NOT recommended for Torflex® axles.

DEXTER AXLE



## Articulation Dimensions

Dimensions are for top mount only. Side mount is .18" higher. Allow 3" bump clearance from full load.



Start Angle	Bracket Profile	No Load		Full Load		Shock Load	
		H	L	H	L	H	L
45° down	Low	5.46	4.24	3.52	5.54	2.52	5.86
	High	6.33	4.24	4.38	5.54	3.38	5.86
22.5° down	Low	3.52	5.54	1.22	6.00	0.18	5.91
	High	4.38	5.54	2.00	6.00	1.04	5.91
10° down	Low	2.26	5.91	-0.08	5.86	-1.08	5.54
	High	3.13	5.91	0.79	5.86	-0.21	5.54
0°	Low	1.22	6.00	-1.08	5.54	-2.00	5.06
	High	2.09	6.00	-0.21	5.54	-1.14	5.06
10° up	Low	0.18	5.91	-2.00	5.06	-2.83	4.42
	High	1.04	5.91	-1.14	5.06	-1.97	4.42
22.5° up	Low	-1.08	5.54	-3.02	4.24	-3.70	3.44
	High	-0.21	5.54	-2.16	4.24	-2.83	3.44

### #9 OVERHANG PER SIDE

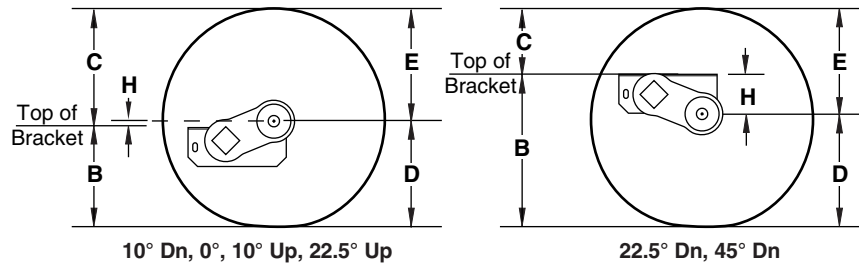
Spindle	Min.	Max.
Short	6.00"	10.90"
Standard	6.50"	10.90"

Note: Positive numbers in the H column indicate the spindle is BELOW the top of the bracket. Conversely, negative numbers are ABOVE the top of the bracket.



## Full Load Dimensions

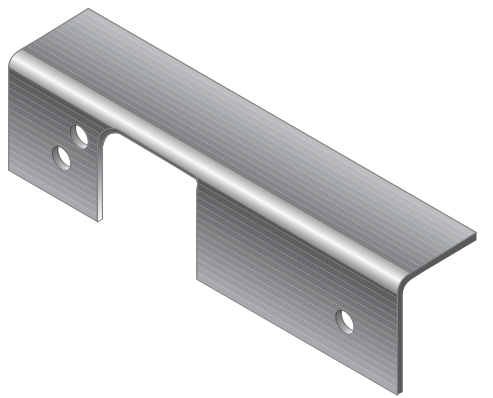
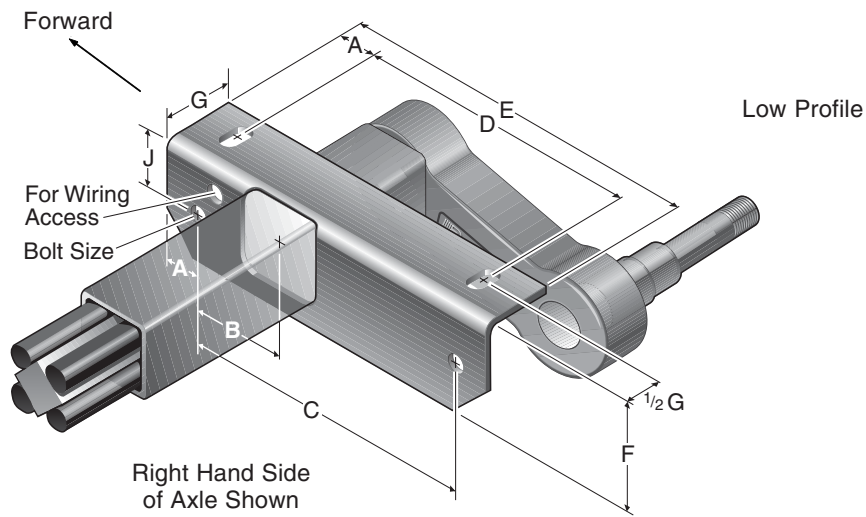
Dimensions are for low profile, top mount only. High profile brackets are .88" higher. Side mount is .18" higher. Allow 3" bump clearance from full load.



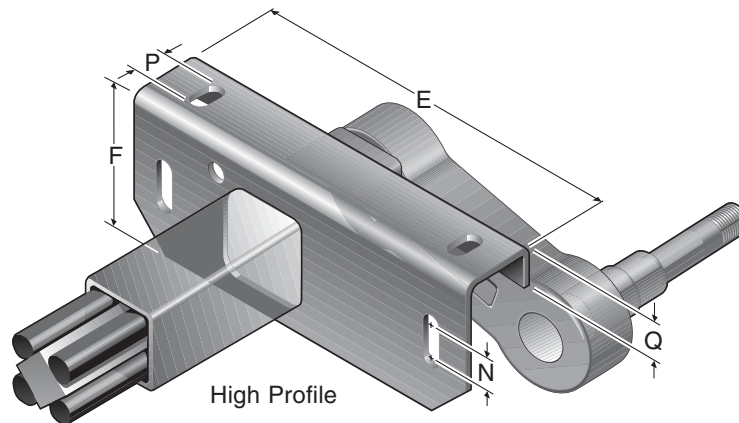
### START ANGLE

Tire	45° Down			22.5° Down			10° Down			0°			10° Up			22.5° Up				
	H	B	C	H	B	C	H	B	C	H	B	C	H	B	C	D	E			
ST175/80R13	3.5	14.7	8.5	1.2	12.4	10.8	-0.1	11.1	12.1	-1.1	10.1	13.1	-2.0	9.2	14.0	-3.0	8.2	15.0	11.2	12.0
4.80-8	3.5	11.4	5.3	1.2	9.1	7.6	-0.1	7.8	8.9	-1.1	6.8	9.9	-2.0	5.9	10.8	-3.0	4.9	11.8	7.9	8.8
4.80-12	3.5	13.0	7.3	1.2	10.7	9.6	-0.1	9.4	10.9	-1.1	8.4	11.9	-2.0	7.5	12.8	-3.0	6.5	13.8	9.5	10.8
20.5x8.0-10	3.5	13.2	7.3	1.2	10.9	9.6	-0.1	9.6	10.9	-1.1	8.6	11.9	-2.0	7.7	12.8	-3.0	6.7	13.8	9.7	10.8

## **9** Bracket Dimensions



#9 BRACKET DIMENSIONS		
	Low	High
A	1.00	1.00
B	2.38	2.38
C	8.00	8.00
D	7.75	7.75
E	10.00	10.00
F	2.88	3.75
G	2.00	2.00
J	1.57	1.57
N	----	.86
P	----	.94
Q	----	1.00
Bolt Size	½" bolt	
Tube Size	2.17	2.17



# LEAF SPRING APPLICATION INFORMATION

## DOUBLE EYE SPRINGS

For standard 33" axle spacing  
**Single A/P-122-00**  
**Tandem A/P-233-00**  
**Triple A/P-335-00**

	Spring Length		
	21"	24"	26"
A	19.62	23.50	25.75
B	25.00	27.50	29.50
C	28.75	31.00	33.00
D	10.62	12.00	13.00
E	28.75	31.00	33.00

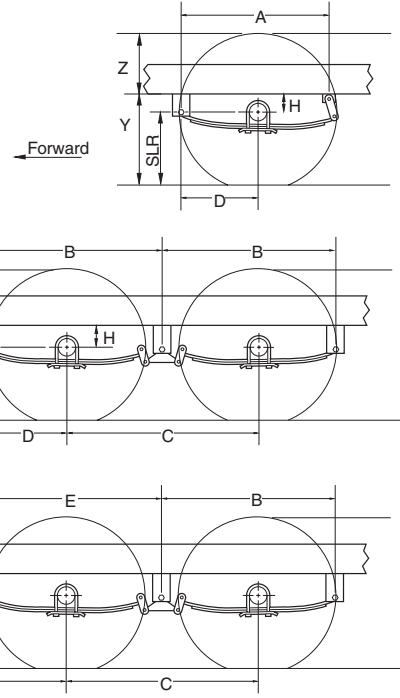
For optional 35" axle spacing  
**Tandem A/P-264-00**  
**Triple A/P-364-00**

	Spring Length		
	21"	24"	26"
B	26.00	28.50	30.50
C	30.80	33.00	35.00
D	10.62	12.00	13.00
E	30.80	33.00	35.00

## D20 OVERHANG PER SIDE

	Min.	Max.
Straight	5.75"	7.62"
Drop	7.62"	9.00"

A, B, E - Hanger Spacing  
 C - Axle Spacing  
 D - Axle Location  
 H - Center of Spindle  
 Y - Frame Height  
 Z - Top of Tire to Bottom of Frame  
 SLR - Static Load Radius  
 Contact your local sales engineer or distributor to run ProSpec™ to determine Y, Z, SLR.



## DOUBLE EYE AXLE ASSEMBLIES

Hanger Kits			Quantity Per Kit				
Part No.	Description	Ht.	HGR-104-00	HGR-105-00	HGR-248-00	HGR-249-00	HGR-348-00
028-005-00	Hanger	3.25"	2	----	4	2	4
028-006-00	Front Hanger	1.44"	----	2	----	----	----
029-008-00	Front Hanger	2.06"	----	----	----	4	----
029-031-00	Center Hanger	3.62"	----	----	2	----	4
030-020-00	Rear Hanger	.91"	2	2	----	----	----

Attaching Parts Kit			A/P-122-00	A/P-233-00	A/P-264-00†	A/P-335-00	A/P-364-00†
006-092-01	Flange Locknut		6	14	14	22	22
007-126-00	Shackle Bolt		2	6	6	10	10
013-104-02	Equalizer		----	2	----	2	----
013-105-02	Equalizer		----	----	----	2	----
013-122-02	Equalizer		----	----	2	----	2
013-126-02	Equalizer		----	----	----	----	2
018-011-00	Shackle Link		----	4	4	6	6
018-012-00	Shackle Link, Long		2	----	----	----	----
018-020-00	Shackle Link Assy.		----	4	4	6	6
018-021-00	Shackle Link Assy., Long		2	----	----	----	----

† For 35" axle spacing using 26" springs

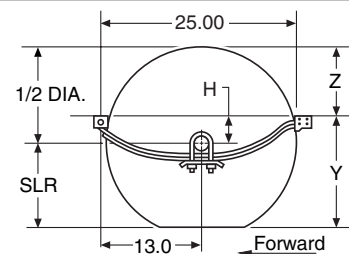
## SLIPPER SPRING AXLE ASSEMBLIES

Hanger Kits			Quantity Per Kit	
Part No.	Description	Ht.	HGR-115-00	
028-039-00	Front Hanger	1.00"	2	
030-037-00	Rear Hanger	.18"	2	

Attaching Parts Kit		
Part No.	Description	A/P-115-00
006-092-01	Locknut	2
007-126-00	Shackle Bolt	2

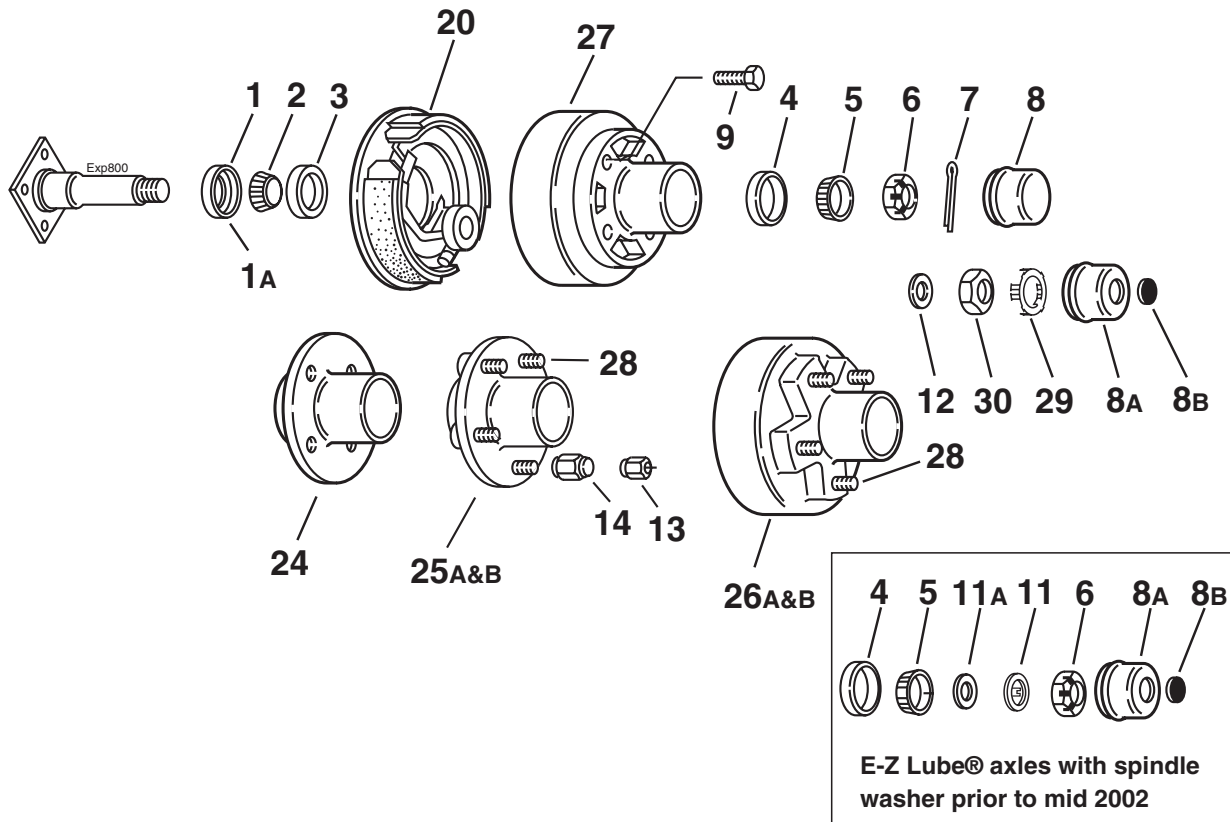
## SLIPPER SPRINGS A/P-115-00



Some combinations of hangers and spring mounting may result in insufficient bump clearance. For additional Hanger kits, A/P kits or other tires, refer to pages 85-87.

# 440 AND 545 HUB GROUP

1000 - 2200 LBS. CAPACITY



## GREASE LUBE PARTS

Item	Part No.	Description
1	010-009-00	Grease Seal
1A	010-060-00	Grease Seal for E-Z Lube®
2	031-031-02	L44649 Inner Bearing Cone
3	031-031-01	L44610 Inner Bearing Cup
4	031-031-01	L44610 Outer Bearing Cup
5	031-031-02	L44649 Outer Bearing Cone
6	006-001-00	Spindle Nut
7	019-002-00	Cotter Pin (not used with E-Z Lube®)
8	021-003-00	Grease Cap
8A	021-041-01	Grease Cap for E-Z Lube®
8B	085-001-00	Rubber Plug for E-Z Lube®
9	007-040-00	Wheel Bolt
11	005-101-00	Tang Washer for E-Z Lube® (prior to 2002)
11A	005-151-00	Spindle Washer for E-Z Lube® (prior to 2002)
12	005-023-00	Spindle Washer for E-Z Lube® (after 2002)
29	006-190-00	Spindle Nut Retainer for E-Z Lube® (after 2002)
30	006-191-00	Special Jam Nut for E-Z Lube® (after 2002)

## BRAKES

Item	Part No.	Description
20	K23-047-00/K23-048-00	LH/RH 7x1¼ Electric
ns	K23-103-00/K23-104-00	LH/RH 7x1¼ Electric w/park
ns	K23-398-00/K23-399-00	LH/RH 7x1¼ Hydraulic Uni-servo

ns - not shown

## HUBS

Item	Part No.	Description	Bolt Circle
<i>Hubs and Drums</i>			
ns	008-173-16	½" Studs, elec. brakes ONLY	4 on 4.00
ns	008-276-05	½" Studs, hyd. brakes ONLY	4 on 4.00
26A	008-257-05	½" Studs, elec. brakes ONLY	5 on 4.50
26B	008-271-07	½" Studs, hyd. brakes ONLY	5 on 4.50
27	008-173-15	½" Tapped, elec. brakes ONLY	4 on 4.00
ns	008-257-04	½" Tapped, elec. brakes ONLY	5 on 4.50
ns	008-271-04	½" Tapped, hyd. brakes ONLY	5 on 4.50
<i>Plain Hubs</i>			
ns	008-091-05	½" Studs	4 on 4.00
24	008-091-04	½" Tapped	4 on 4.00
25A	008-259-05	½" Studs, 8"-12" wheels ONLY	5 on 4.50
25B	008-258-05	½" Studs, 13"-15" wheels ONLY	5 on 4.50
ns	008-259-04	½" Tapped, 8"-12" wheels ONLY	5 on 4.50
ns	008-258-04	½" Tapped, 13"-15" wheels ONLY	5 on 4.50

## STUDS & WHEEL NUTS

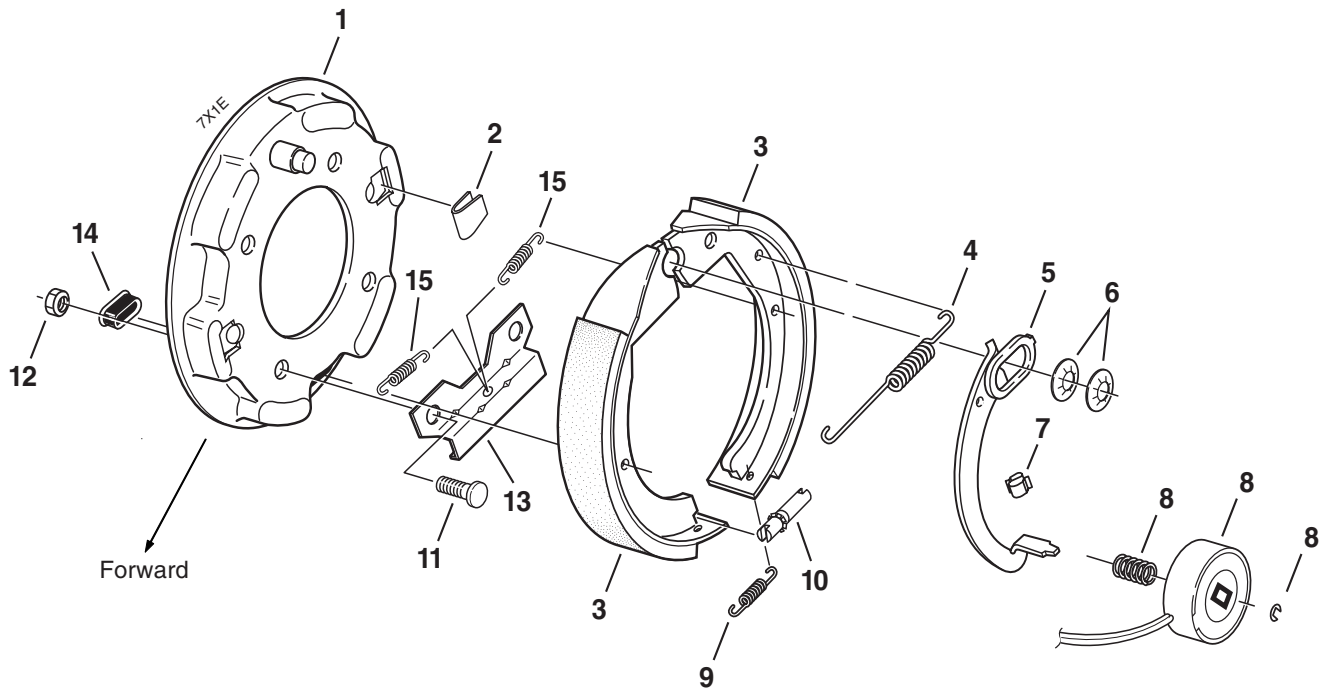
Item	Part No.	Description
9	007-040-00	½-20 Wheel Bolt
13	006-080-00	½-20 60° Cone Nut
14	006-098-00	½-20 Stainless Steel Capped Wheel Nut
28	007-246-00	½-20 Press-in Stud

DEXTER AXLE

# 7 x 1 1/4" ELECTRIC BRAKE

CSA approved at 2000# /11.3 SLR; 2200#/10.2SLR

1000 - 2200 LBS. CAPACITY



## ELECTRIC BRAKE

Item	Part No.	Qty/Brk	Description
0	K23-047-00	1	LH Complete Brake Assembly (shown)
0	K23-048-00	1	RH Complete Brake Assembly
1	036-036-04	1	Backing Plate Assembly (includes items #11, 13)
2	046-023-00	2	Shoe Hold Down Clip
3	K71-045-00	1	Shoe & Lining Kit containing: 1 #040-125-00 Primary S&L 1 #040-049-00 Secondary S&L
4	046-024-00	1	Retractor Spring
5	047-114-04	1	LH Actuating Lever Arm
5	047-115-04	1	RH Actuating Lever Arm
6	046-030-00	2	Anchor Post Clip
7	027-005-00	1	Wire Clip
<b>For brakes manufactured after 4/1/90</b>			
8	K71-057-00	1	Magnet Kit containing: 1 #042-134-00 Magnet 1 #046-121-00 Magnet Clip 1 #046-086-00 Magnet Spring
9	046-022-00	1	Adjusting Screw Spring
10	043-021-00	1	Adjusting Screw
11	007-041-00	4	Brake Mounting Bolt - Press-in
*12	006-017-00	4	Brake Mounting Nut
13	064-001-00	1	Stabilizer Bracket
14	046-007-00	1	Adjuster Slot Plug
<b>For brakes manufactured after 8/1/91</b>			
15	046-114-00	2	Shoe Centering Spring

**This brake is rated to a maximum capacity of 2200 lbs. / pair**

\* Not included with complete brake assembly. Item sold separately.

DEXTER AXLE

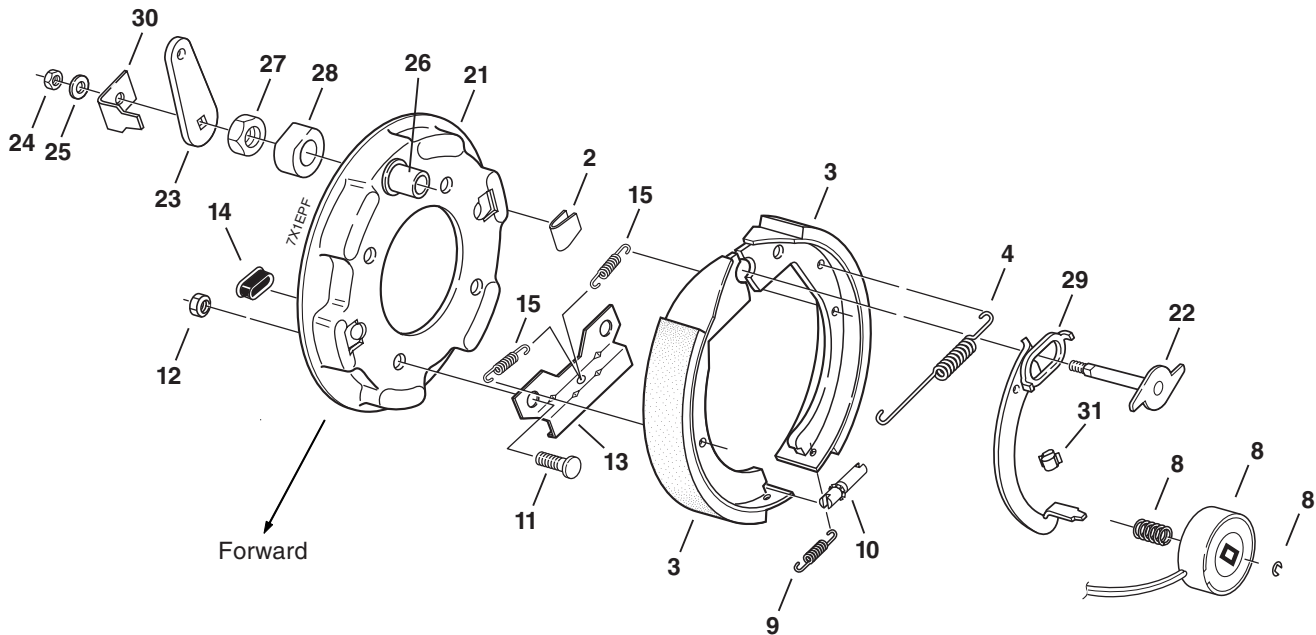


# 7 x 1 1/4" ELECTRIC BRAKE WITH PARKING FEATURE

CSA approved at 2000# /11.3 SLR; 2200#/10.2SLR

1000 - 2200 LBS. CAPACITY

DEXTER AXLE



## ELECTRIC PARKING BRAKE

Item	Part No.	Qty/Brk	Description
0	K23-103-00	1	LH Complete Brake Assembly (shown)
0	K23-104-00	1	RH Complete Brake Assembly
2	046-023-00	2	Shoe Hold Down Clip
3	K71-045-00	1	Shoe & Lining Kit containing: 1 #040-125-00 Primary S&L 1 #040-049-00 Secondary S&L
4	046-024-00	1	Retractor Spring
<b>For brakes manufactured after 4/1/90</b>			
8	K71-057-00	1	Magnet Kit containing: 1 #042-134-00 Magnet 1 #046-121-00 Magnet Clip 1 #046-086-00 Magnet Spring
9	046-022-00	1	Adjusting Screw Spring
10	043-021-00	1	Adjusting Screw
11	007-041-00	4	Brake Mounting Bolt - Press-in
*12	006-017-00	4	Brake Mounting Nut
13	064-001-00	1	Stabilizer Bracket
14	046-007-00	1	Adjuster Slot Plug
<b>For brakes manufactured after 8/1/91</b>			
15	046-114-00	2	Shoe Centering Spring

\* Not included with complete brake assembly. Item sold separately.

## ELECTRIC PARKING BRAKE

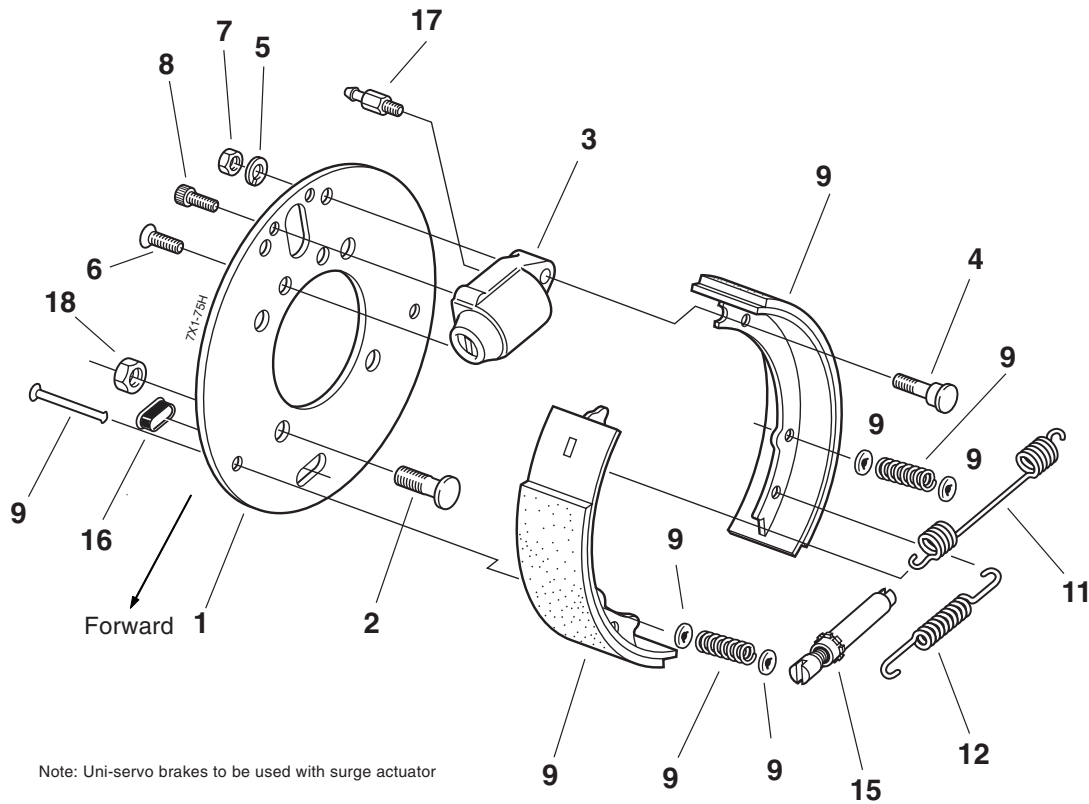
Item	Part No.	Qty/Brk	Description
21	036-036-07	1	LH Backing Plate & Lever Arm (includes items #22-30, 2, 11, 13)
21	036-036-08	1	RH Backing Plate & Lever Arm (includes items #22-30, 2, 11, 13)
22	039-041-00	1	LH Pivot Pin & Cam Sub-Assembly
22	039-042-00	1	RH Pivot Pin & Cam Sub-Assembly
23	047-079-00	1	Lever
24	006-075-00	1	Self Locking Nut
25	005-056-00	1	Washer
26	038-057-00	1	Anchor Pin
27	006-074-00	1	Self Locking Nut
28	071-031-00	1	Spacer
29	047-114-02	1	LH Lever Arm & Cam Assembly
29	047-115-02	1	RH Lever Arm & Cam Assembly
30	071-033-00	1	Lever Stop
31	027-005-00	1	Wire clip

**This brake is rated to a maximum capacity of 2200 lbs. / pair**

# 7 x 1 3/4" HYDRAULIC BRAKE

CSA approved up to 2500# /11.2SLR

1000 - 2200 LBS. CAPACITY



Note: Uni-servo brakes to be used with surge actuator

## HYDRAULIC BRAKE

Item	Part No.	Qty/Brk	Description
0	K23-398-00	1	LH Complete Brake Assembly (CSA approved) (shown)
0	K23-399-00	1	RH Complete Brake Assembly (CSA approved)
1	036-038-00	1	Backing Plate
2	007-041-00	4	Mounting Stud - Press-in
3	054-080-03	1	Wheel Cylinder Assembly - LH (includes item #17)
3	054-080-04	1	Wheel Cylinder Assembly - RH (includes item #17)
4	038-072-00	1	Anchor Post
5	005-004-00	1	Lock Washer
6	007-235-00	1	Counter Sunk Cap Screw
7	006-010-00	1	Hex Nut
8	007-234-00	1	Socket Head Cap Screw
9	K71-466-00	1	Shoe & Lining Kit containing: 1 #040-327-01 Primary Shoe & Lining 1 #040-328-01 Secondary Shoe & Lining 2 #046-006-00 Shoe Hold Down Spring 4 #035-001-00 Shoe Hold Down Spring Cup 2 #049-014-00 Shoe Hold Down Pin
11	046-126-00	1	Retractor Spring
12	046-127-00	1	Adjusting Screw Spring
15	043-004-00	1	Adjuster Screw Assembly
16	046-007-00	1	Adjuster Slot Plug
17	054-084-00	1	Bleeder Screw (brakes before 1/97) 6mm thread
17	054-088-00	1	Bleeder Screw (brakes after 1/97) 7mm thread
*18	006-017-00	4	Brake Mounting Nut

**This brake is rated to a maximum capacity of 2500 lbs. / pair**

DEXTER AXLE