

Featheride™ 244

Light Duty Trailer Air Ride Suspension



Model RAR-244

Designed for horse trailers, race car trailers, and other specialized light duty applications

Compact design, for use with 4" drop axle or straight axle

Protects the value of your load by softly cushioning the trailer ride

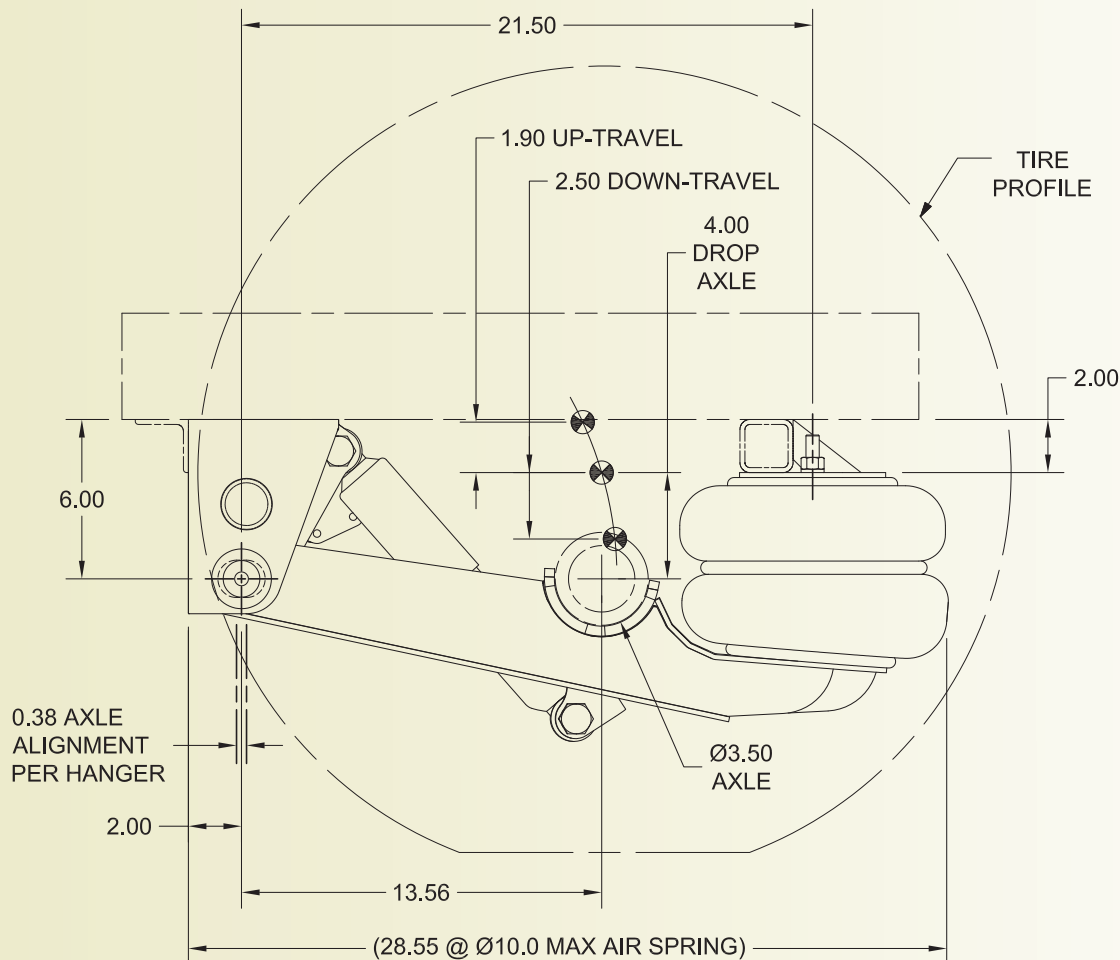
8,000 lb. capacity



www.ridewellcorp.com ♦ 800.641.4122 ♦ Fax 417.833.4560

Featheride™ 244

Light Duty Trailer Air Ride Suspension



6 INCH MOUNTING HEIGHT SHOWN

Features:

- Simple, slotted alignment feature
- Integrated shock absorber mounting
- Huckbolt® at pivot eliminates re-torquing
- Compact design: 31" axle spacing & 3½" diameter axle with 4" drop for low ride height
- Contoured axle seat; no U-bolts required
- Utilizes standard air springs & shock absorbers
- Integrated leveling valve mounting
- Optional dump valve exhausts air springs & lowers floor height for loading & unloading



P.O. Box 4586 ♦ Springfield, Missouri 65808

www.ridewellcorp.com ♦ 800.641.4122 ♦ Fax 417.833.4560